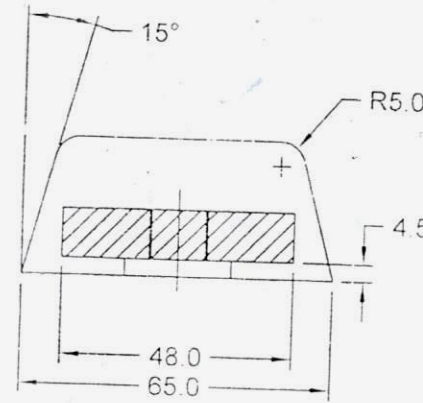
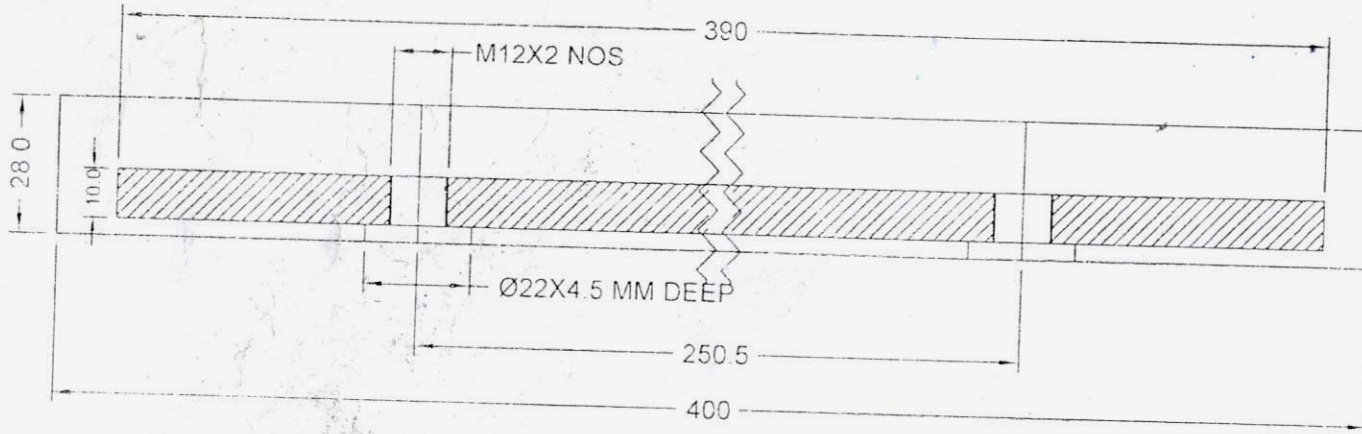


57  
31/5/16



BRASS

Free cutting Brass IS 319 Type(I)  
BS 249 Type(I)

DRAWN AS PER STOCK SAMPLES  
ALL DIMENSIONS ARE IN MM

Quantity Required 482 Nos.  
finished as per drawing.

Approved  
*K. Ramashadran*  
29/9/10  
K. RAMASHADRAN  
Chief Officer  
Chief Controller Technical Services (CBDO)  
Central Organisation  
Mumbai - 400 085.

DRN.	INTAILS	DRN.	SCALE N.T.S.	INDIAN RUBBER MANUFACTURERS RESEARCH ASSOCIATION CUSTOMER:- CPRO MUMBAI	L- 098/F0159	MATERIAL: NBR BS2751 BA80
DRN.	R.N.M.	30/07/09				
CHD.	J.D.					
APPD.						
			TITLE - BRUSH STAVES		FFF CERTIFICATE SUBMITTED BY FIRM	
			PART NO. - SR 6001D-482-03-350-01		DRG NO. IRMRA/NAVY-CMP/MA-PRC/03/112	